

NOCCHI Multi EVO-SP

CENTRIFUGAL MULTISTAGE ELECTRIC PUMPS - SPECIAL

NEW 2016
PENTAIR



Multi EVO-SP is an horizontal multistage centrifugal electric pump with an axial threaded suction port and a radial threaded outlet. The innovative, high-efficiency hydraulic system is connected to a latest generation motor with mechanical seal. Particularly suited for pumping sea and pool water.

ADVANTAGES

Electric pumps in the Multi EVO-SP series offer the following advantages:

- Strong and resistant against salt water, this is the perfect partner for all pool cleaning devices
- High-level reliability - thanks to the resistant and innovative design
- Silent operation - improved user comfort thanks to its silent operation
- Compact form

SPECIFICATIONS:

PUMP

- Hydraulic performance conforms to ISO 9906:2012 - Grade 3B
- Type of liquid: clean water with no suspended solids or abrasive material
- Maximum liquid temperature 50°C
- Maximum operating pressure 7 bar
- Maximum recommended suction height 6m with foot valve

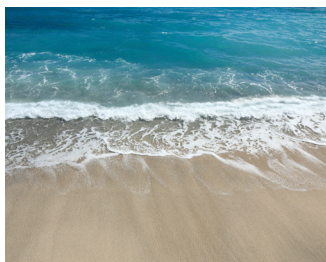
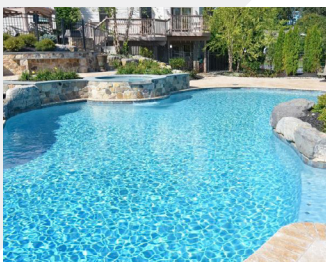
MOTORE

- Enclosed, air ventilated (TEFC)
- 2 poles, 50 Hz (n=2850 rpm)
- IE3 three-phase AC (P2 ≥ 0.75 kW)
- Protection class: IP55
- Insulation class: F
- Single phase power supply with permanently inserted condenser and thermal protection incorporated into motor winding



APPLICATIONS

- Pressurization and supply
- Irrigation
- Cleaning chlorine water pools
- Cleaning salt water pools
- Aggressive liquid pumping (depending on type of material)



NOCCHI Multi EVO-SP

CENTRIFUGAL MULTISTAGE ELECTRIC PUMPS - SPECIAL

DESIGN FEATURES

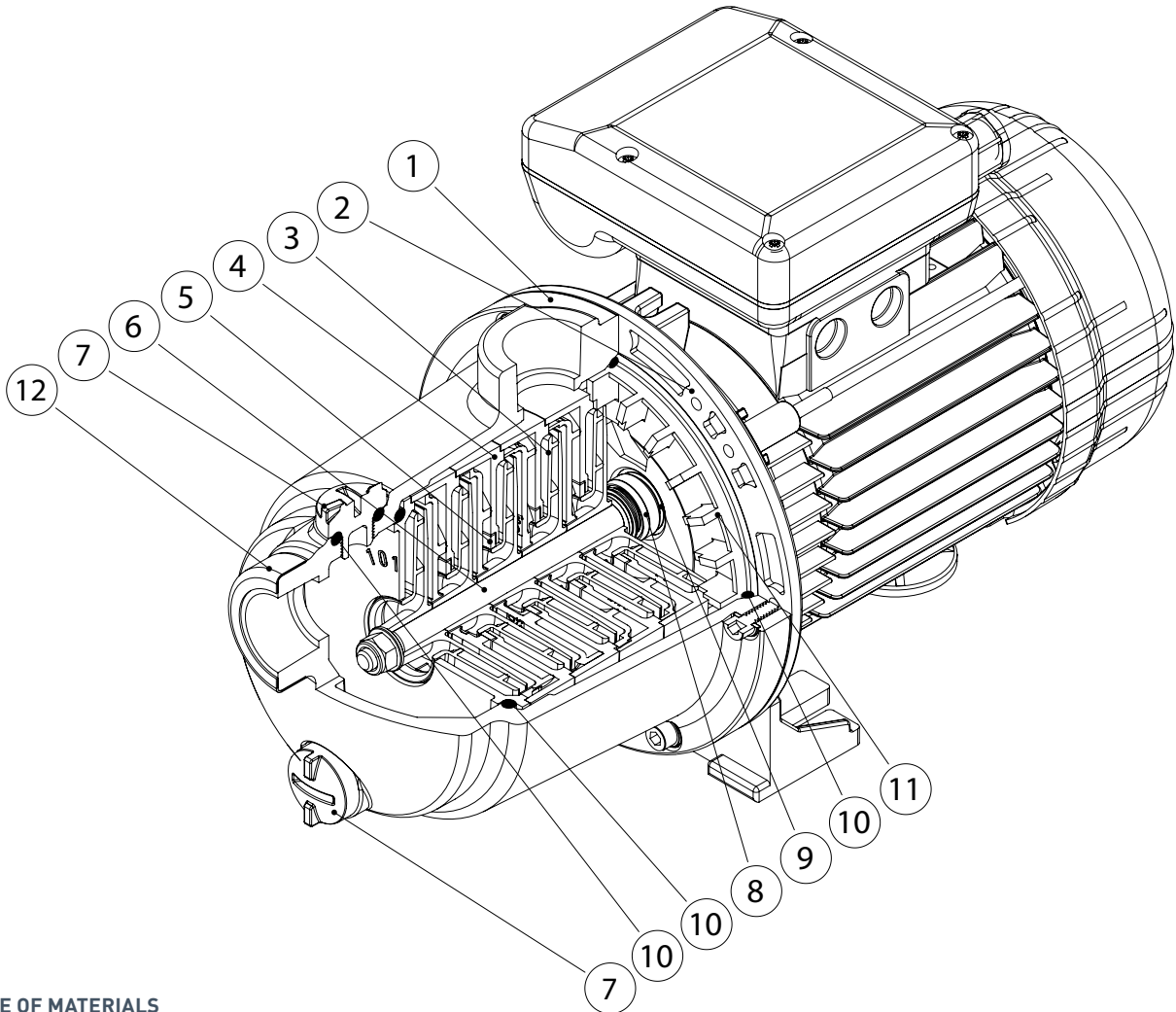


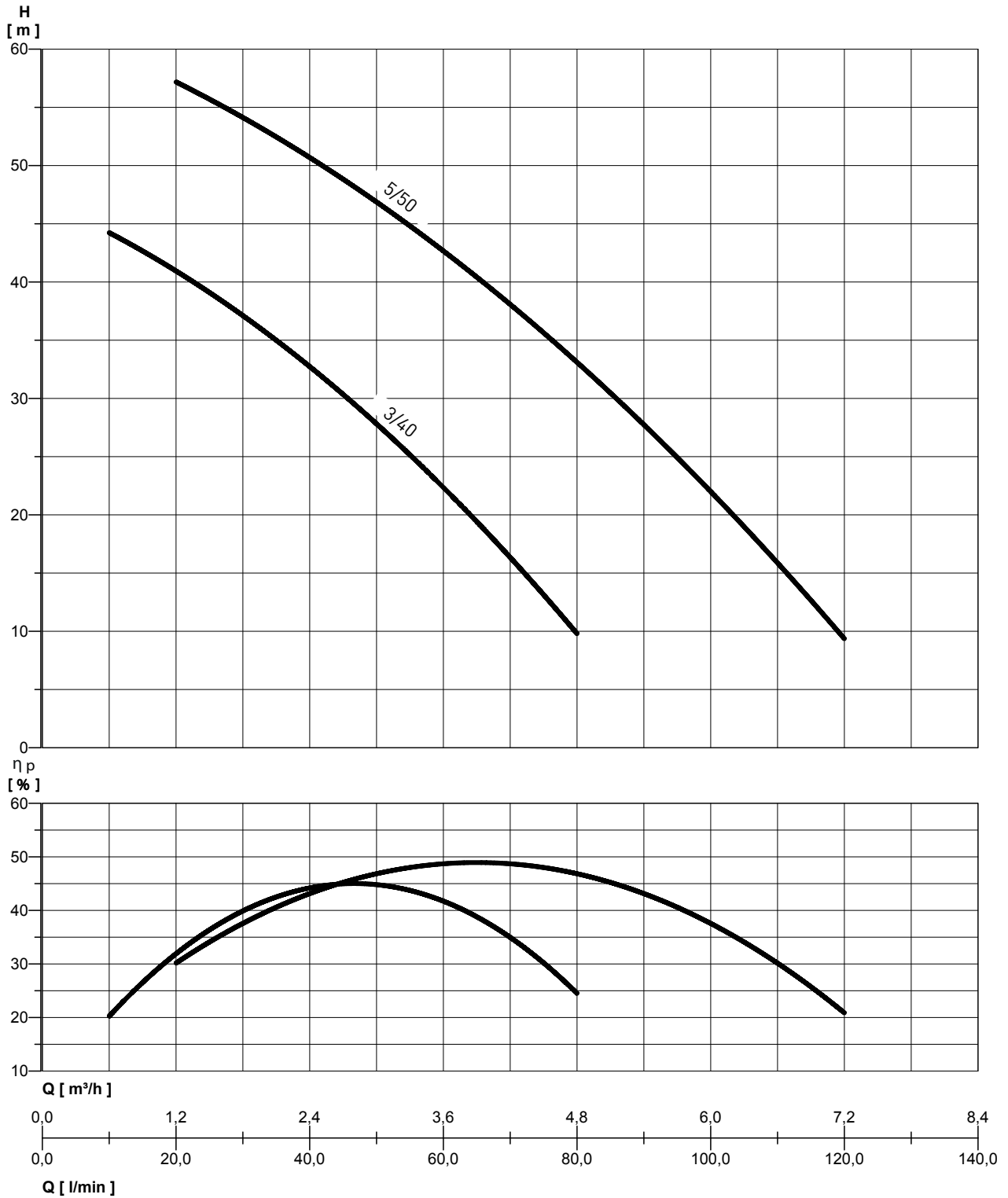
TABLE OF MATERIALS

Ref.	Component	Material
1	Pump body	Fibreglass reinforced PPO
2	Motor casing	Die-cast aluminium
3	Impeller	Fibreglass reinforced PPO
4	Diffuser	Fibreglass reinforced PPO
5	Wear ring	PTFE
6	Shaft (hydraulic part)	Stainless steel Europe: EN10088-1 X2CrNiMo17-12-2 (1.4404) USA: AISI 316
7	Inlet / outlet caps	Polyamide 6.6
8	Mechanical seal	Carbon graphite / NBR / SS Europe: EN10088-1 X2CrNiMo17-12-2 (1.4404) USA: AISI 316
9	Counterface	Ceramic / NBR
10	Gaskets	NBR 70 Shore A
11	Seal holder plate	Fibreglass reinforced PPO
12	Reinforcement ring	Stainless steel Europe: EN10088-1 X5CrNi18-10 (1.4301) USA: AISI 304

NOCCHI Multi EVO-SP 3 - 5

CENTRIFUGAL MULTISTAGE ELECTRIC PUMPS - SPECIAL

HYDRAULIC PERFORMANCE

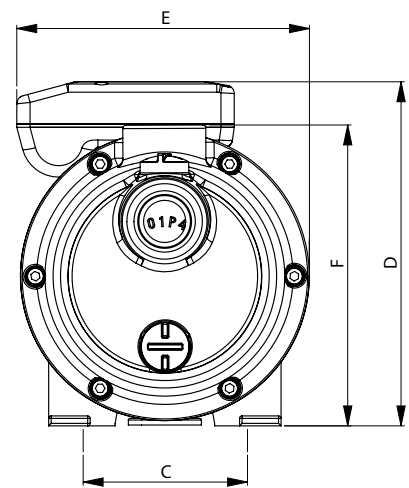
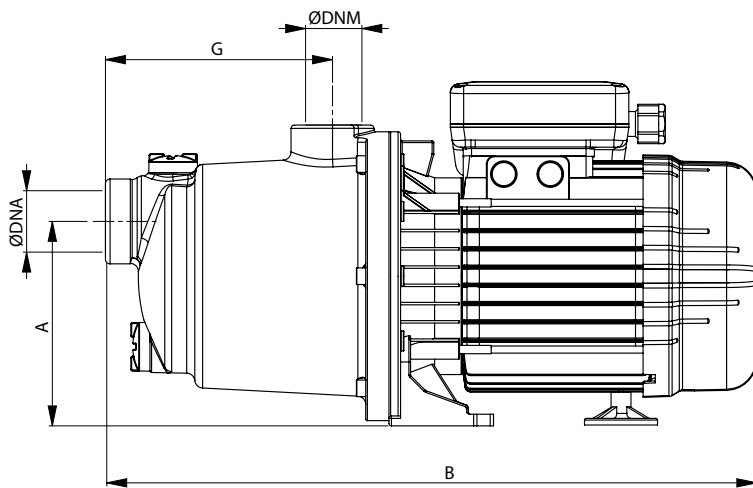


NOCCHI Multi EVO-SP 3 - 5

CENTRIFUGAL MULTISTAGE ELECTRIC PUMPS - SPECIAL

PERFORMANCE TABLE

MODEL	Nominal power (P2)		Absorbed power (P1)		Voltage (V)	In (A)	µF	Q	total head in metres water column											
	HP	kW	HP	kW					U/min	10	20	30	40	50	60	80	100	120		
									m ³ /h	0,6	1,2	1,8	2,4	3	3,6	4,8	6	7,2		
Multi EVO-SP 3-40 M	0,74	0,55	1,1	0,8	1 ~ 230	3,7	12,5	total head in metres water column	44	41	37,5	33	27,5	22	10					
Multi EVO-SP 3-40 T	0,71	0,53	1,05	0,78	3 ~ 230/400	2,7 / 1,55	---													
Multi EVO-SP 5-50 M	1,27	0,95	1,8	1,35	1 ~ 230	6,2	20			57	54	51	47	43	32,5	22	9,5			
Multi EVO-SP 5-50 T	1,2	0,9	1,68	1,25	3 ~ 230/400	3,8 / 2,2	---													



OVERALL DIMENSIONS AND WEIGHTS

MODEL	Dimensions mm.									Weight (Kg)
	A	B	C	D	E	F	G	DNA	DNM	
Multi EVO-SP 3-40 M	123	373	99	199	177	182	137	1"	1"	6,9
Multi EVO-SP 3-40 T	123	373	99	199	177	182	137	1"	1"	6,9
Multi EVO-SP 5-50 M	123	392	99	207	177	182	137	1"	1"	10,1
Multi EVO-SP 5-50 T	123	392	99	207	177	182	137	1"	1"	10,1